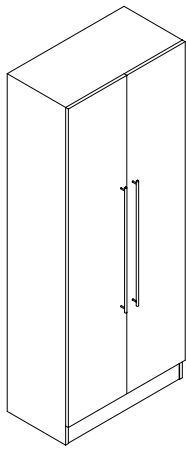
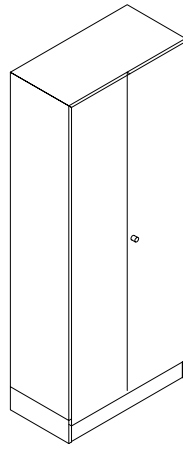


# Montageanleitung : Korpus - Regalserie M6.../M7.../M8...

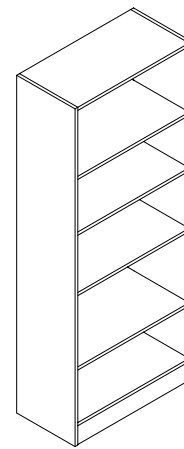
Assembly instruction : corpus - shelves M6.../M7.../M8... series



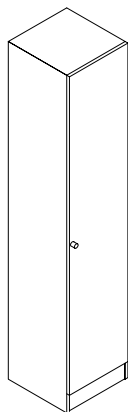
M 7100



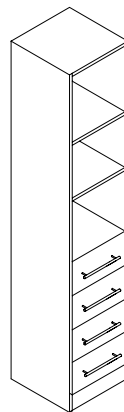
M 6100  
( M 8100 )



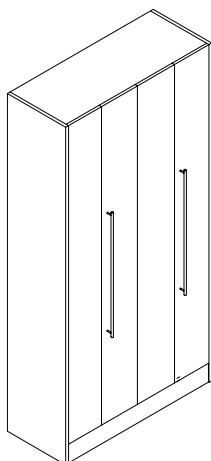
M 6000



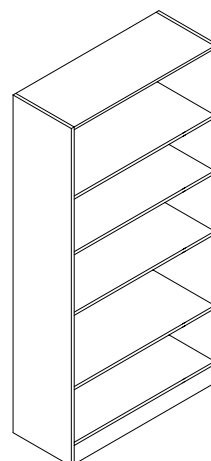
M 6150



M 7600  
( M 8600 )

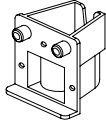






M 7400  
( M 6900 )  
( M 8900 )

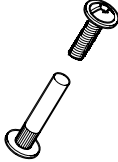
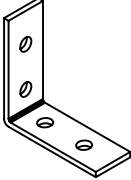

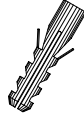
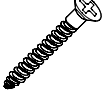




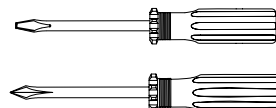
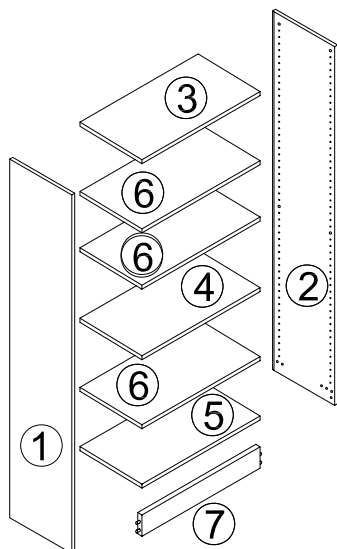
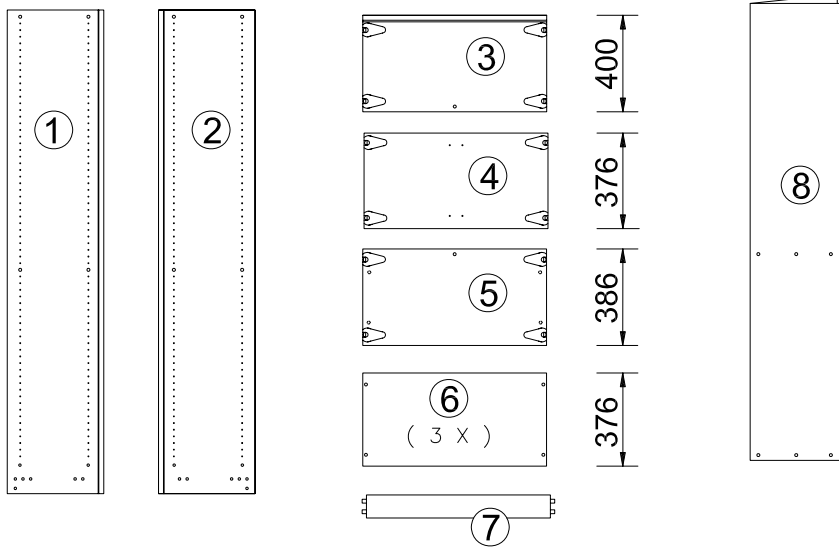
M 6400

## Beschlagbeutel 1 : / fittings 1

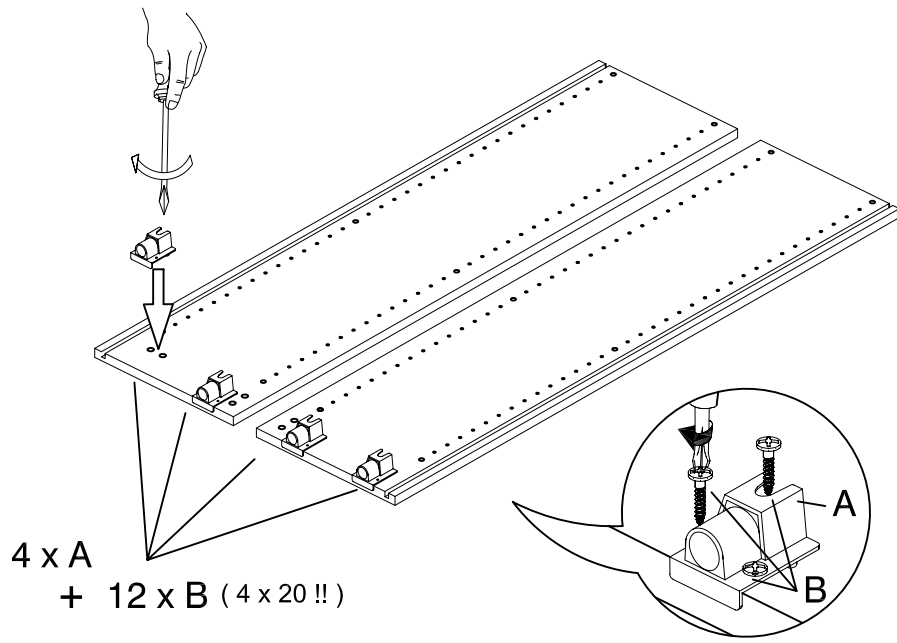
<p>4 x A</p> 	<p>12 x B</p>  <p>( 4 x 20 mm )</p>	<p>12 x C</p> 	<p>12 x D</p>  <p>( 3,5 x 25 mm )</p>	<p>12 x E</p> 
--	--	---	---	---

## Beschlagbeutel 2 : / fittings 2

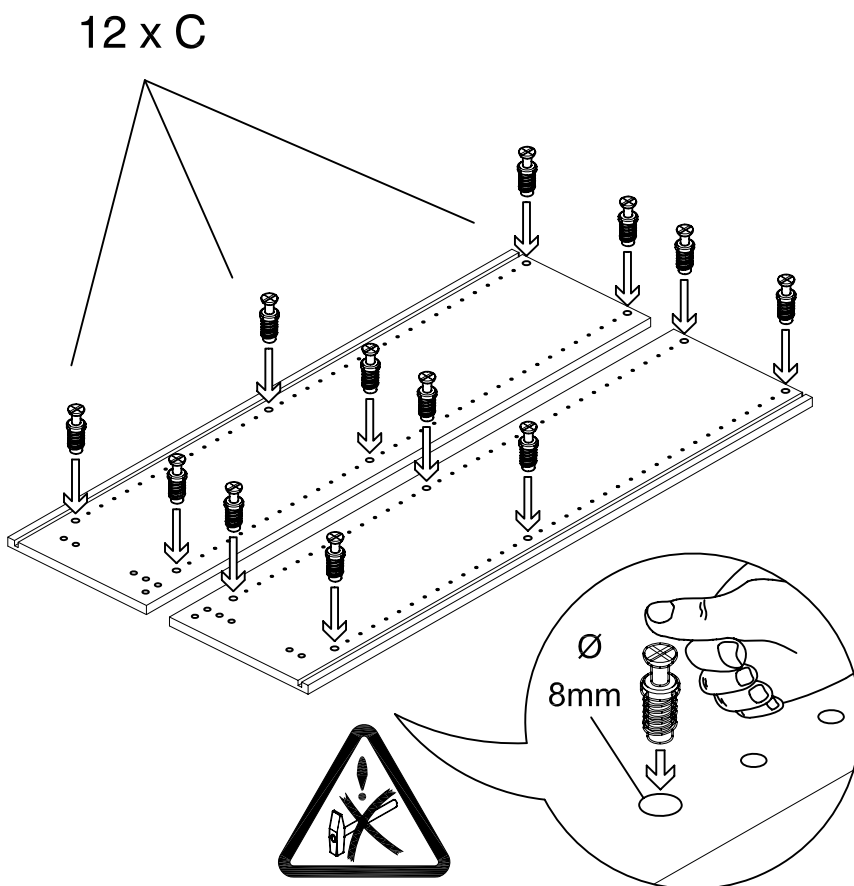
<p>4 x F</p> 	<p>2 x G</p> 	<p>2 x H</p>  <p>( 3,5 x 20 mm )</p>	<p>2 x J</p> 
<p>2 x K</p>  <p>( 4,5 x 40 mm )</p>		<p>4 x L</p> 	
<p>2 x M</p> 			



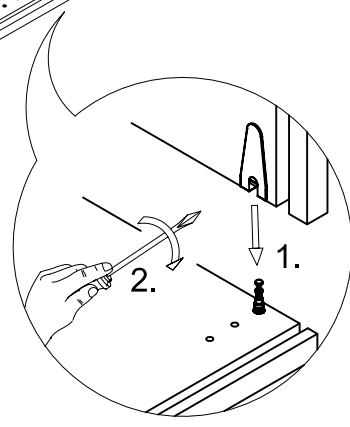
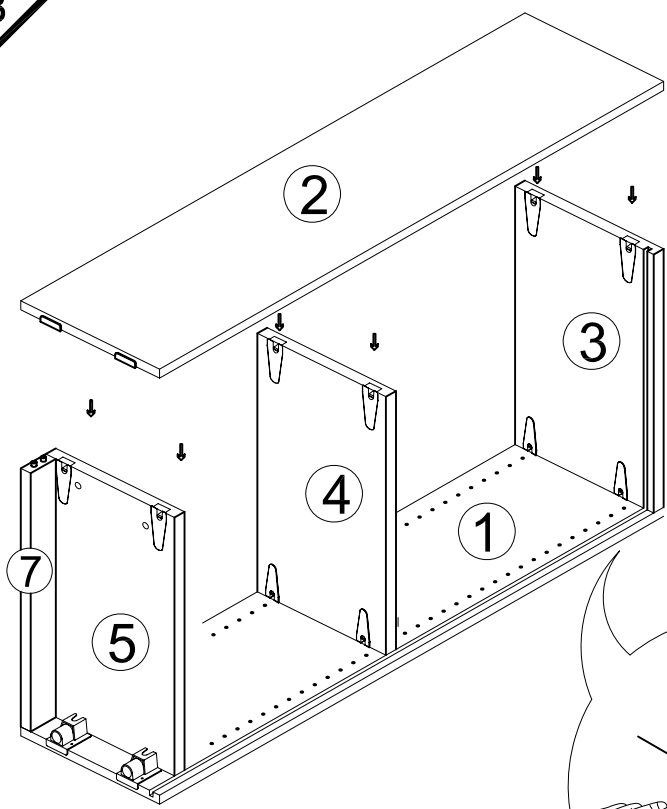
1



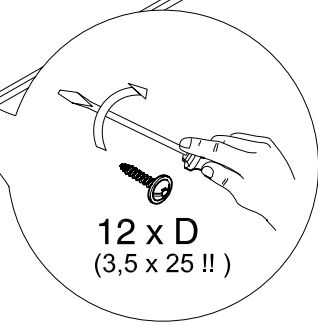
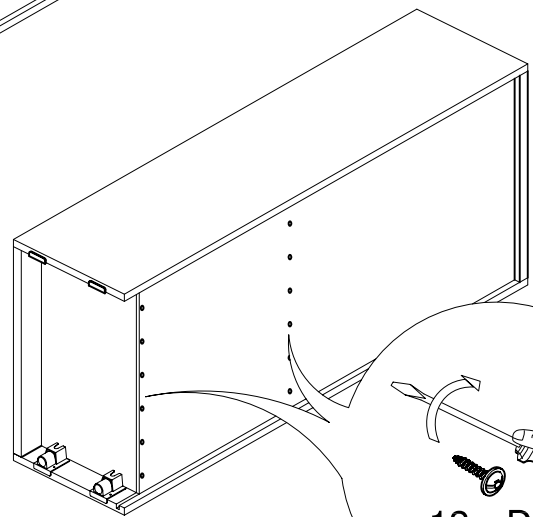
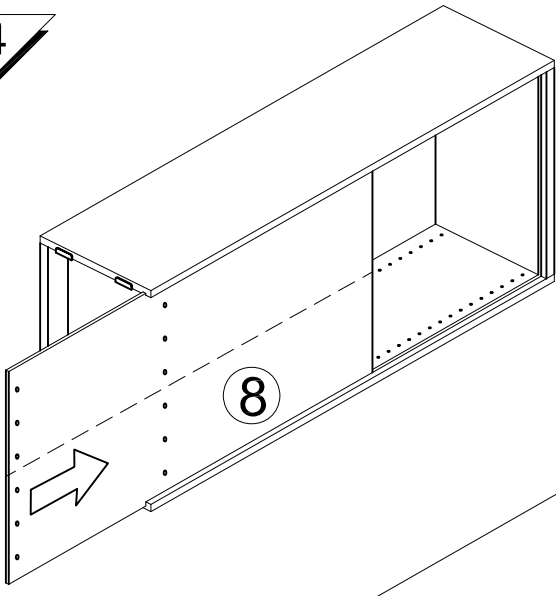
2



3

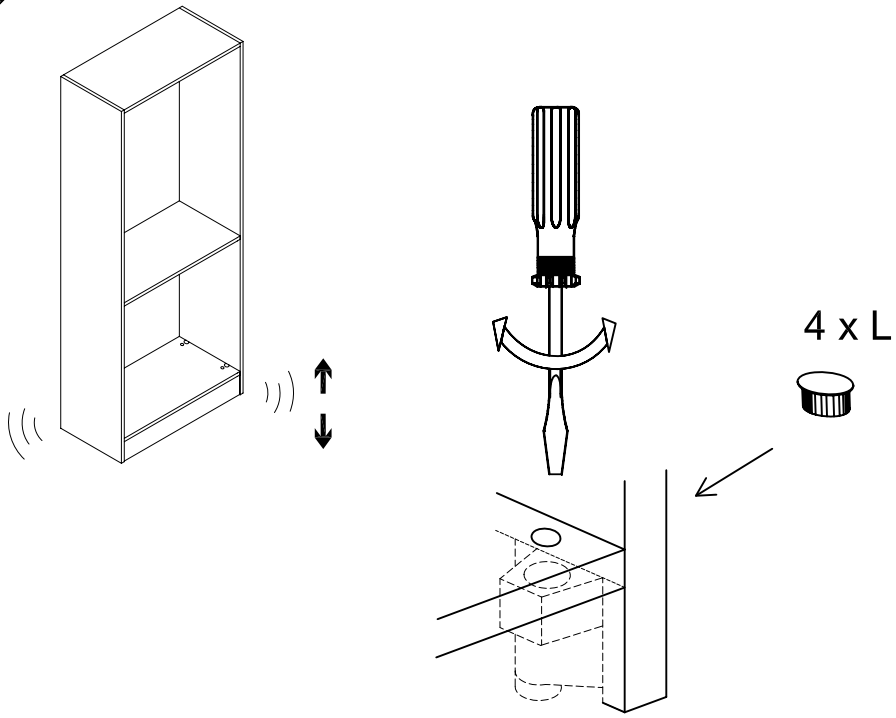


4

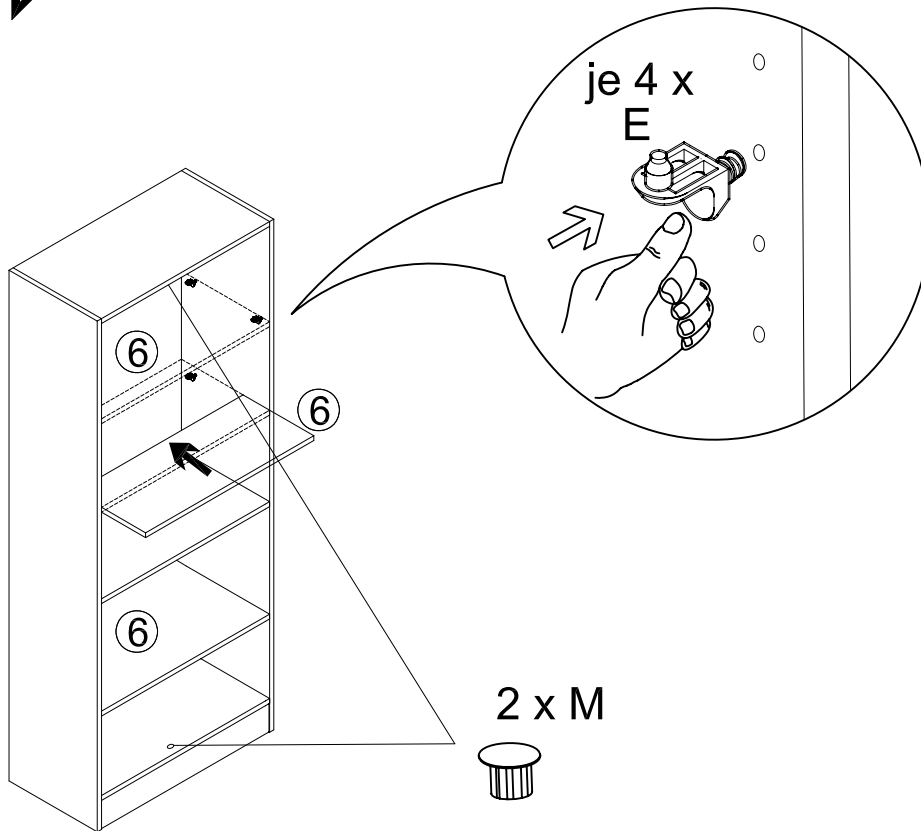


12 x D  
(3,5 x 25 !!)

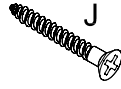
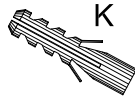
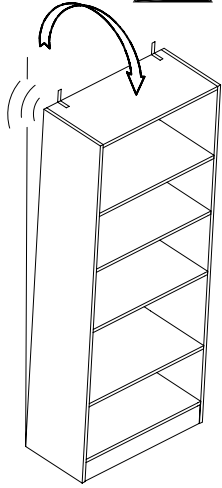
5



6

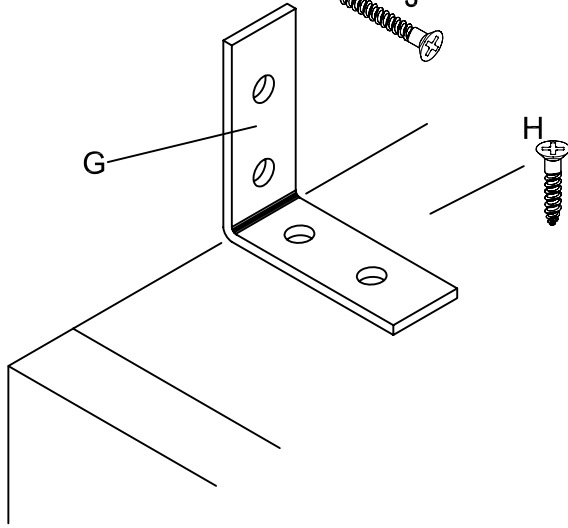


7



G

H



8

