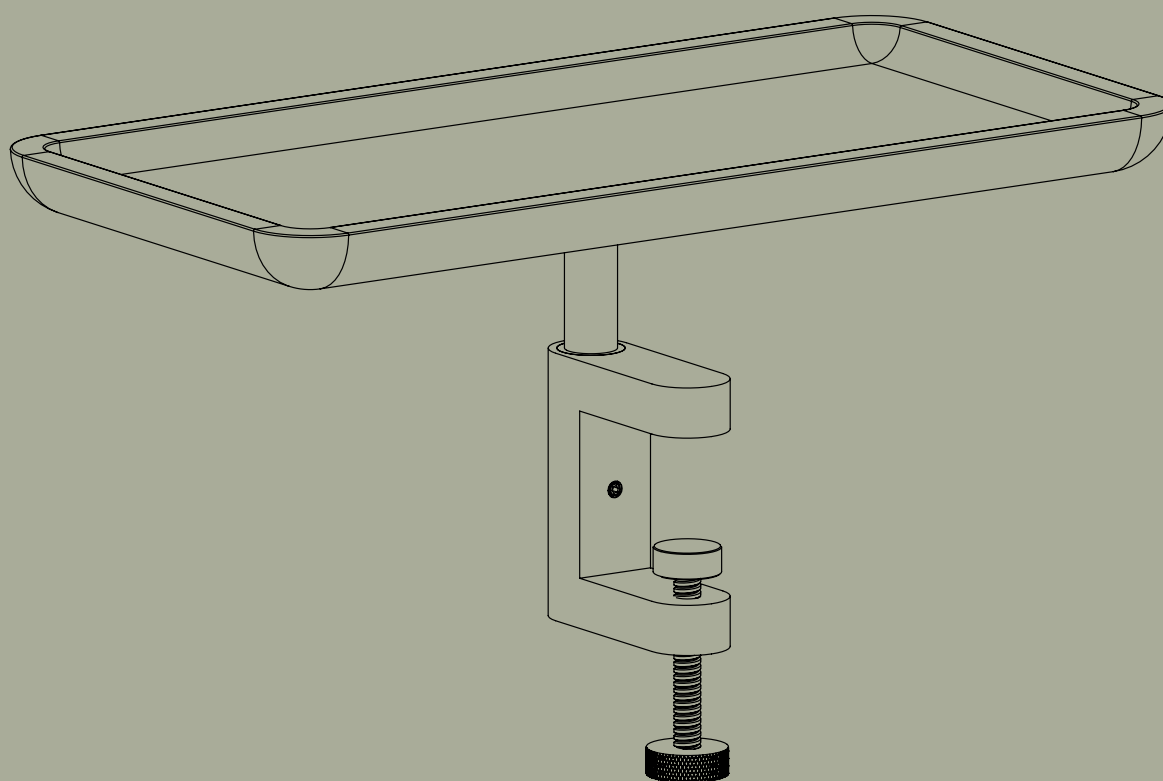


# TABLE SHELF - BAMBOO

DESIGNED BY PJ PRODUCTION & HANS THYGE & CO



APTO

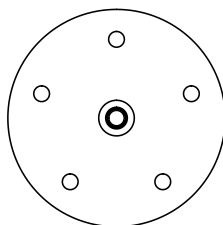
# PARTS



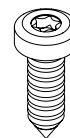
1 x bamboo table tray



1 x tube



1 x mount



5 x self-tapping screws



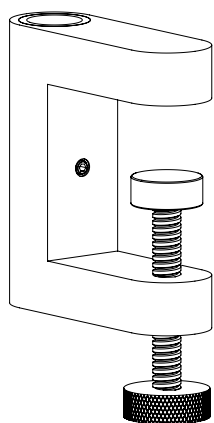
1 x socket screw

## TABLE SHELF - BAMBOO

Bamboo with Scandinavian Matte Black tube: 6000-0039

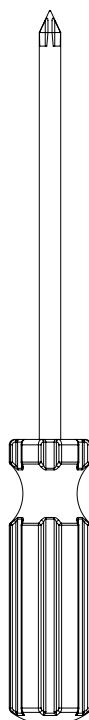
# APTO

# WHAT YOU WILL NEED



1 x MULTI CLAMP

Nordic Dark Blue: 6000-0000-5008  
Danish Dusty Green: 6000-0000-7033  
Scandinavian Matte Black: 6000-0000-9000



1 x SCREWDRIVER

One screwdriver. Please note that this is not included!

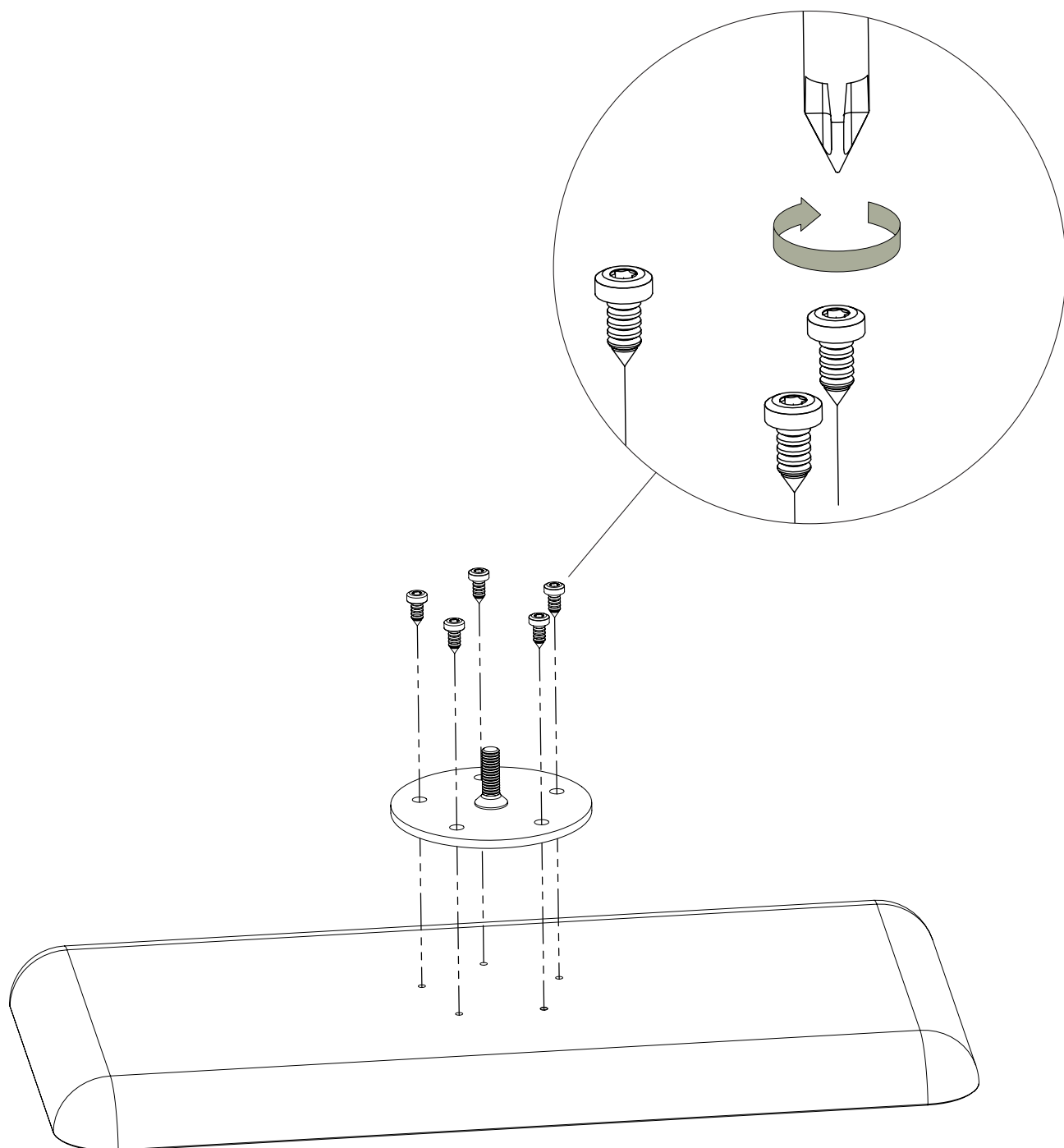


1 x ALLEN WRENCH

The Allen wrench is included in the multi clamp box

# STEP 1

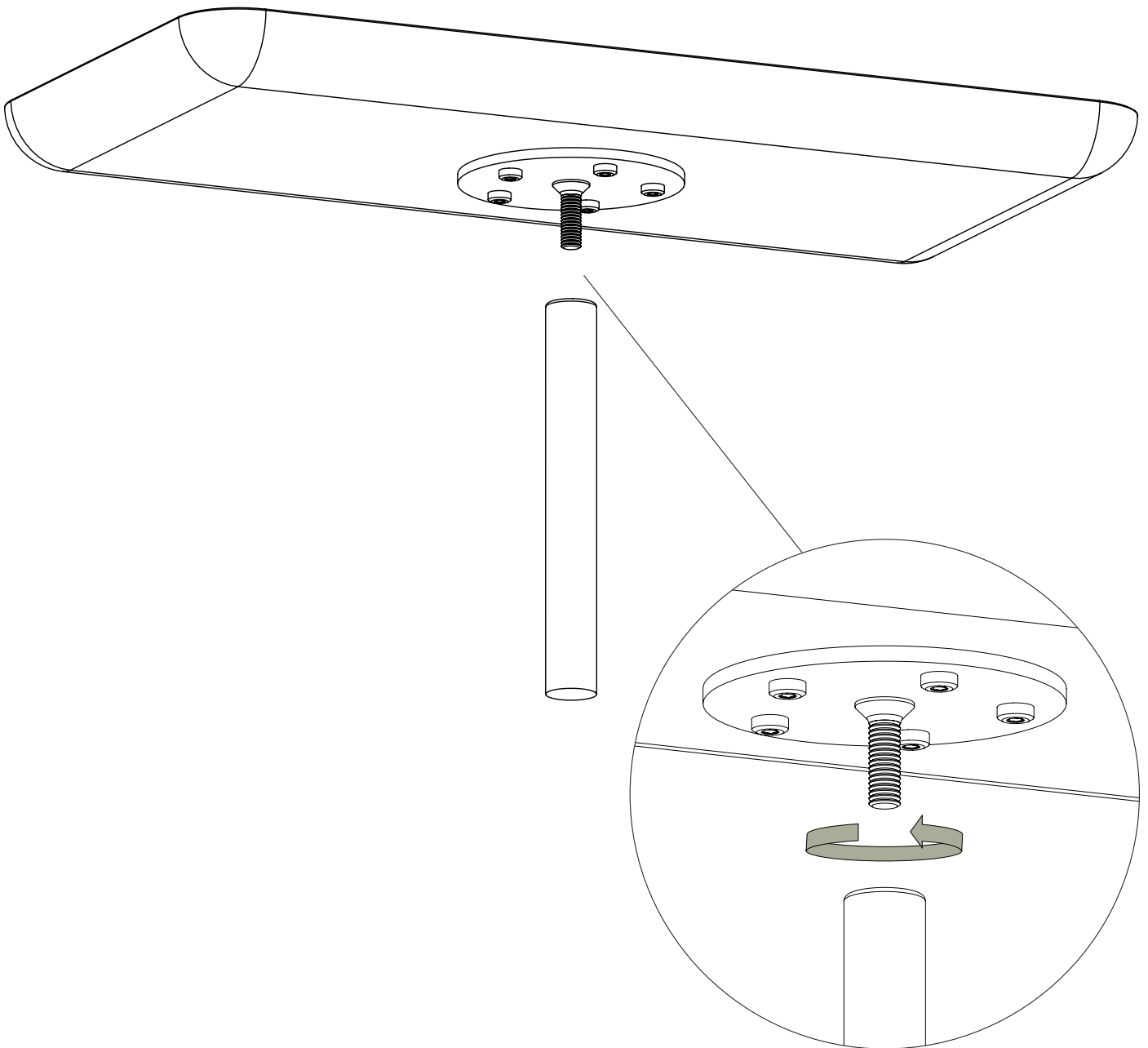
Start by aligning the mount and the reserved side of the table shelf top before continuing. Now connect the mount and bamboo table shelf with the five included self-tapping screws. When these are connected, carefully insert the tip of the screwdriver into the hexagon cross section of the self-tapping screw and turn the screwdriver in a clockwise fashion until the screw has been sufficiently tightened. Repeat the process with the remaining four self-tapping screws.



# APTO

## STEP 2

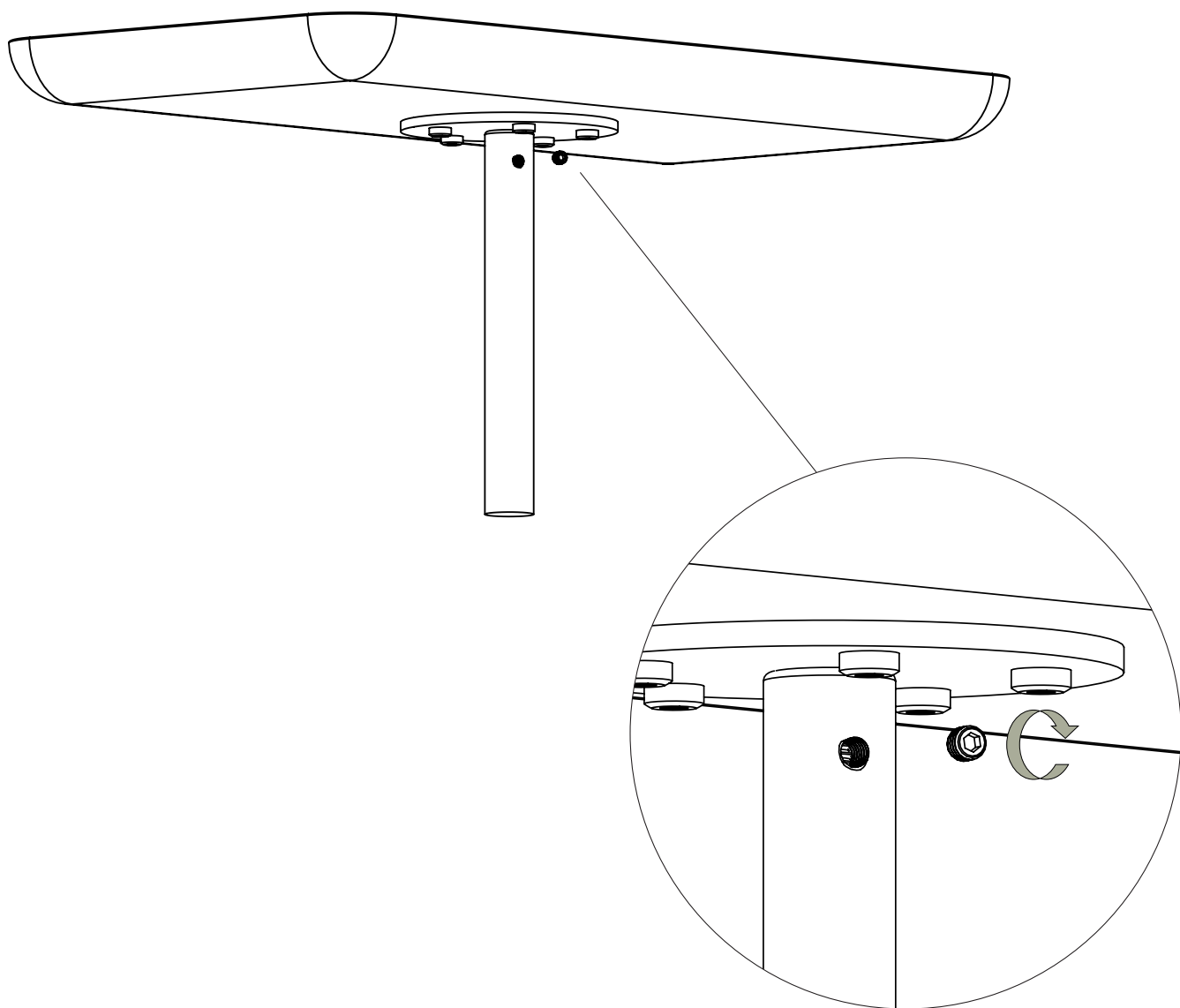
Now carefully connect the mount and the tube manually by hands in a clockwise fashion until the tube has been sufficiently tightened.



# APTO

## STEP 3

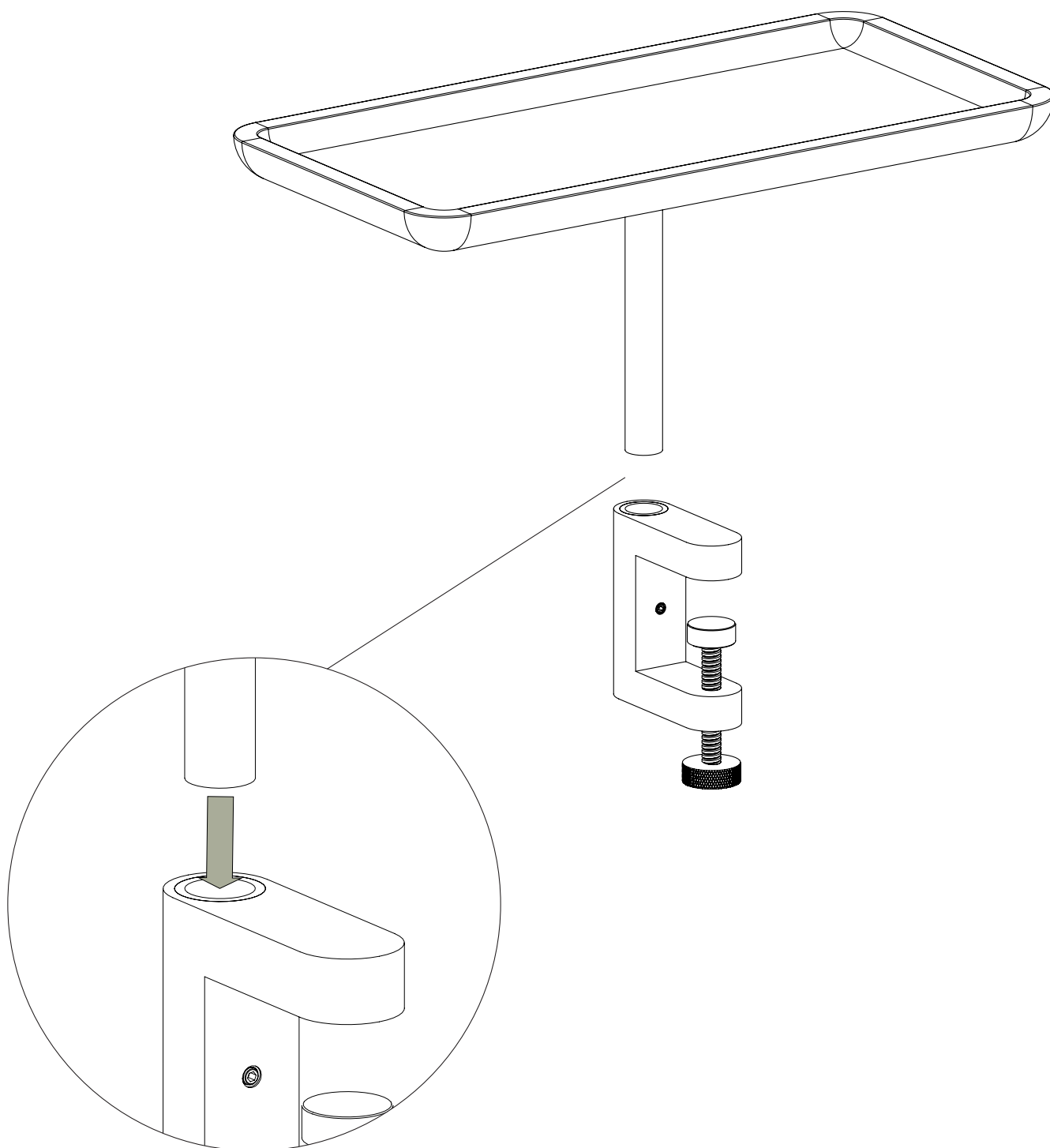
Carefully lead the socket screw through the hole in order to fastened and stabilize the bamboo table shelf



# APTO

# STEP 4

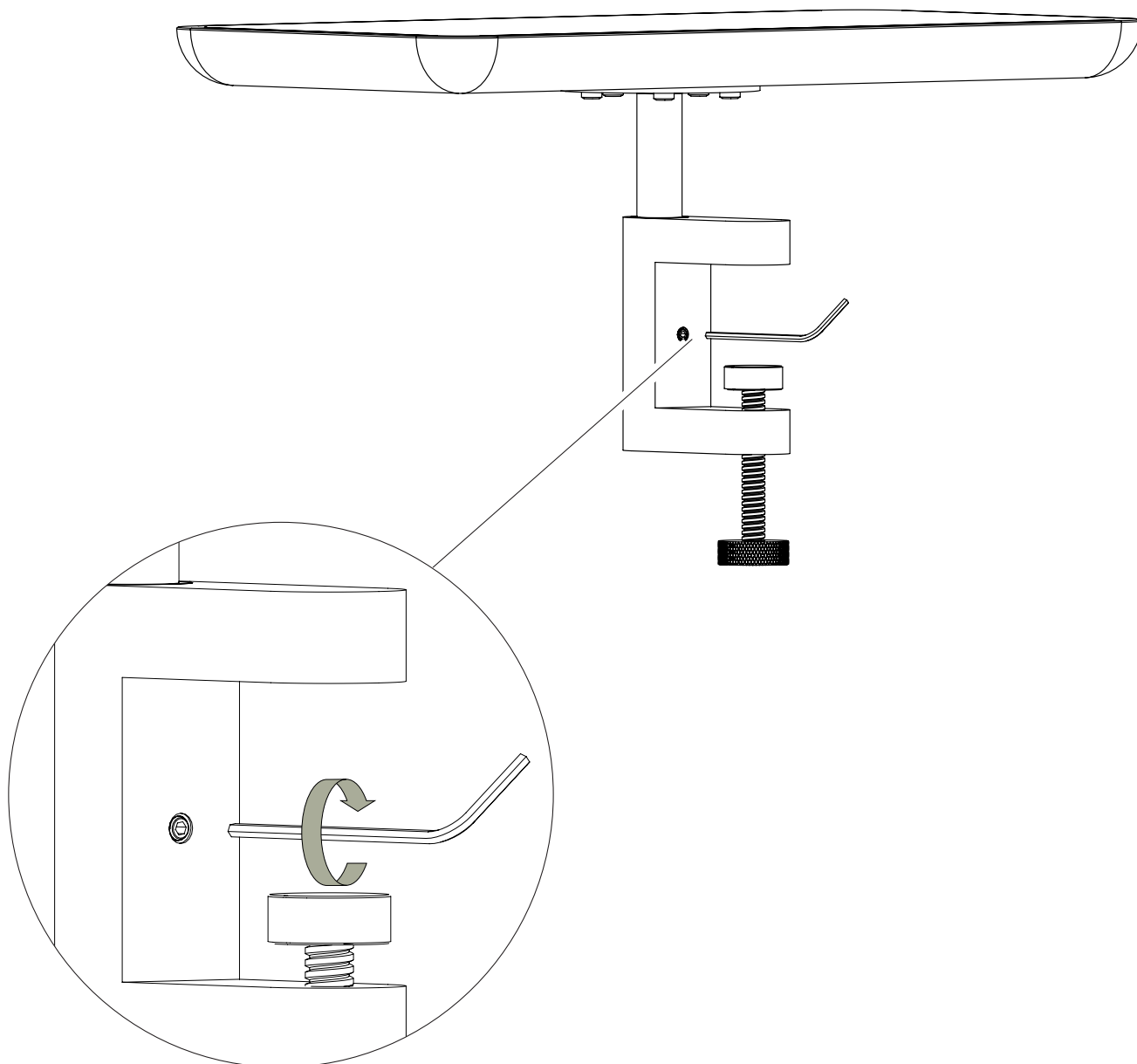
Carefully lead the tube through the hole at the top of the multi clamp



# APTO

## STEP 5

The finger screw must be open entirely before continuing. Now carefully insert the tip of the Allen wrench into the hexagon cross section of the socket screw and turn the wrench in a clockwise fashion until the socket screw has been sufficiently tightened.

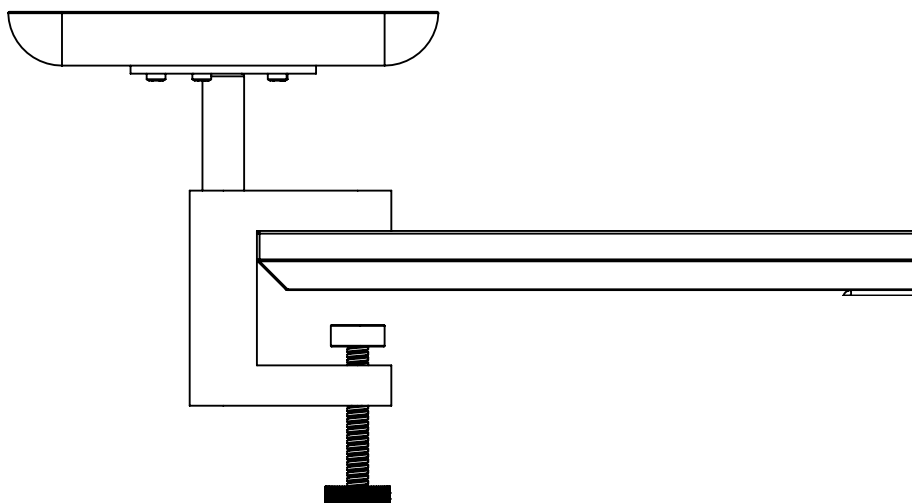


# APTO



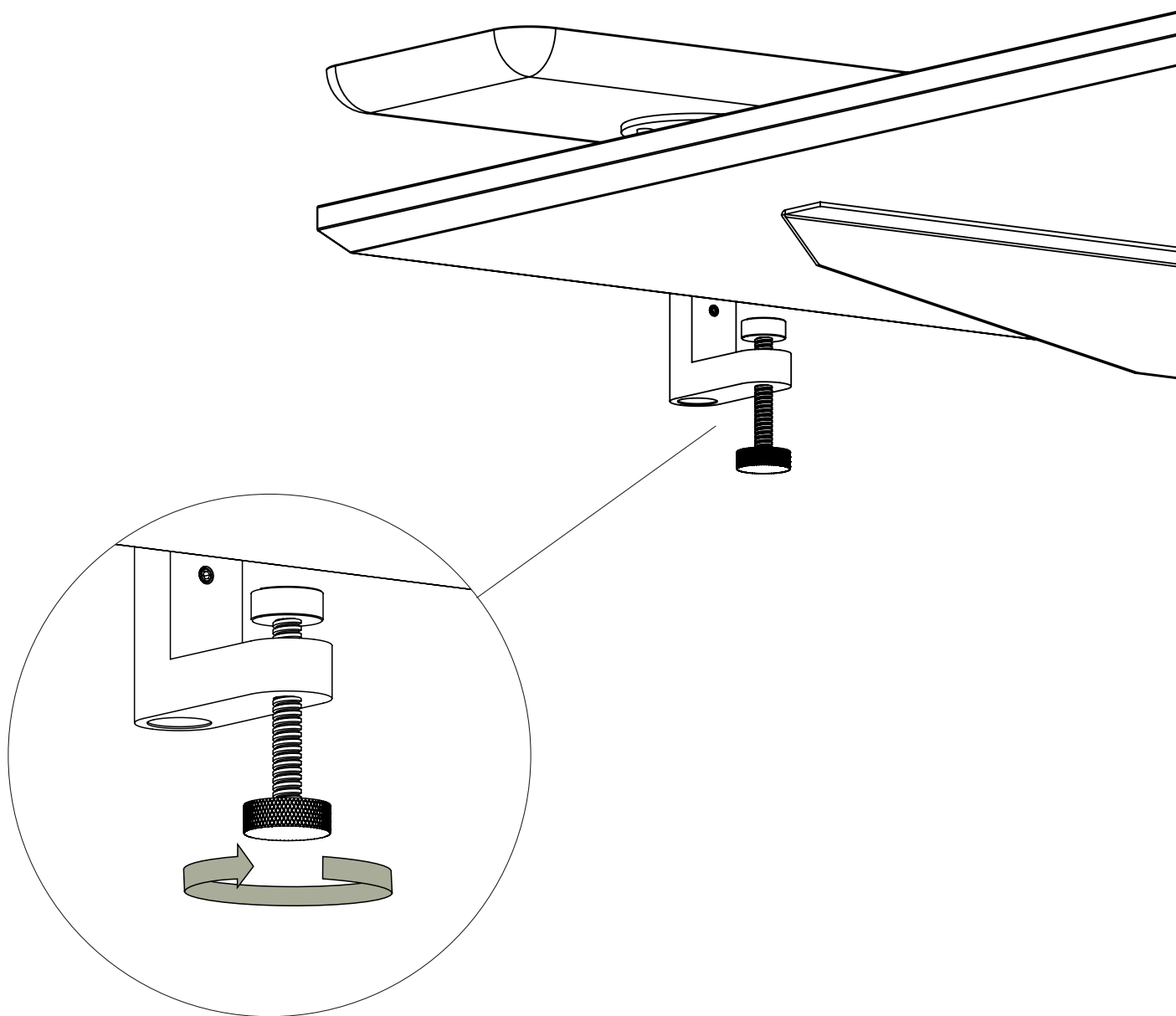
# STEP 6

The table shelf can now be attached to the preferred surface.



# STEP 7

When the placement of the table shelf is correctly, then tighten the finger screw completely.



# APTO

Hårup Skovej 2, 8600 Silkeborg, Danmark  
+ 45 86 81 23 75 // [www.aptocollection.dk](http://www.aptocollection.dk)

APTO  
DANISH DESIGN