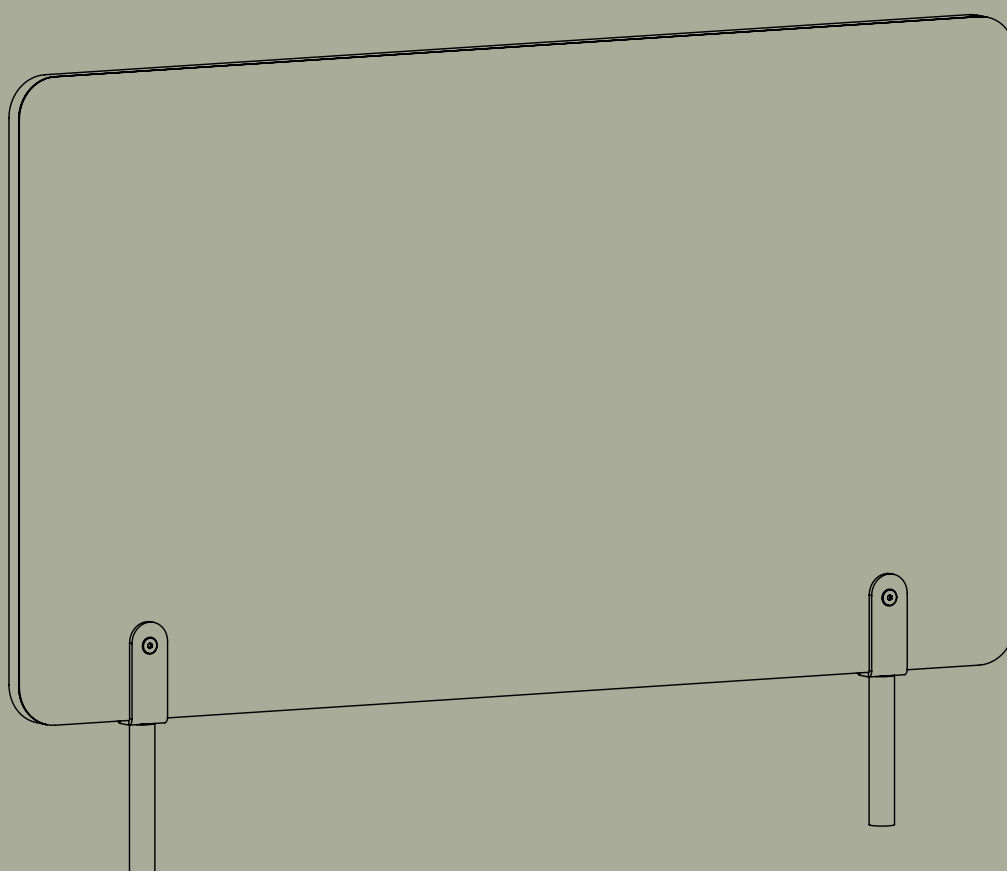


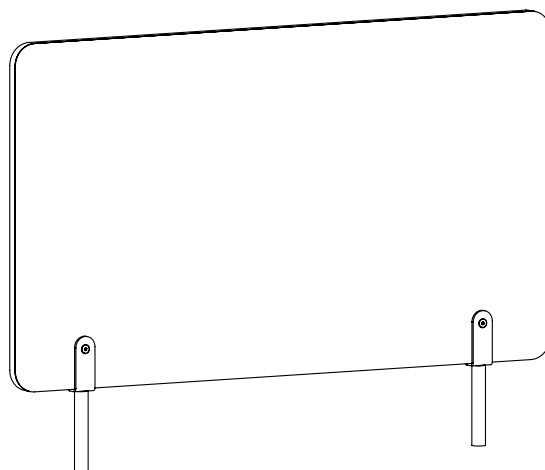
WHITEBOARD SIDEWALL

DESIGNED BY PJ PRODUCTION & HANS THYGE & CO



APTO

PARTS



WHITEBOARD SIDEWALL

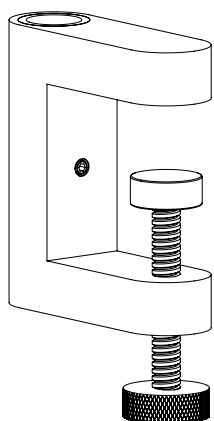
Scandinavian Matte Black: 6000-0058-9000

Nordic Dark Blue: 6000-0058-5008

Danish Dusty Green: 6000-0058-7033

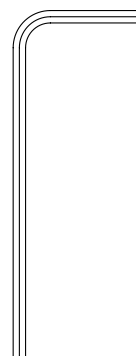
APTO

WHAT YOU WILL NEED



2 x MULTI CLAMPS

Nordic Dark Blue: 6000-0000-5008
Danish Dusty Green: 6000-0000-7033
Scandinavian Matte Black: 6000-0000-9000

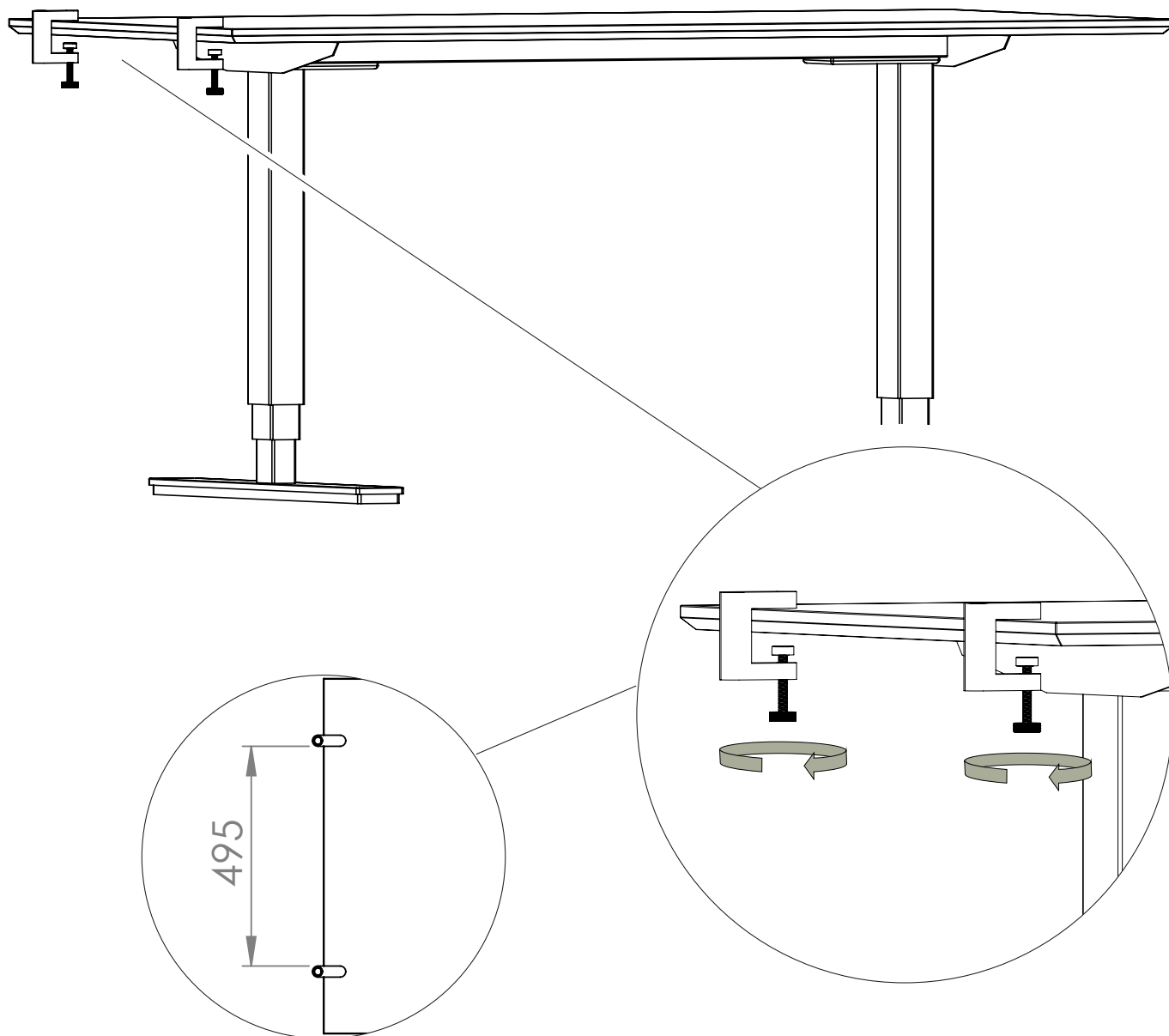


1 x ALLEN WRENCH

The Allen wrench is included in the multi clamp box

STEP 1

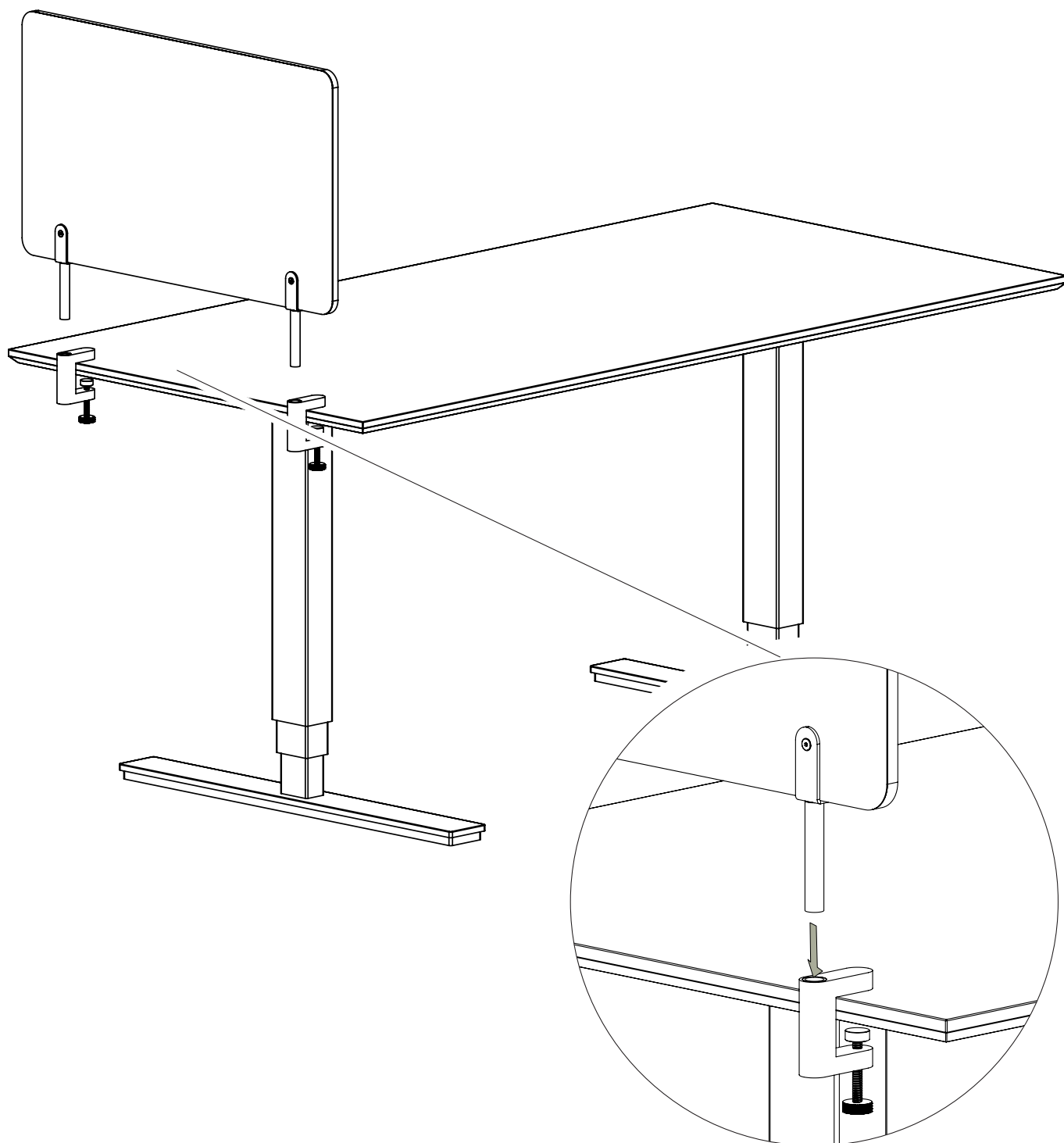
The two multi clamps must be mounted on the preferred surface. It is noteworthy that these multi clamps must be mounted with a space on 495 mm. When the placement of the multi clamps is correctly, then tighten the finger screw completely.



APTO

STEP 2

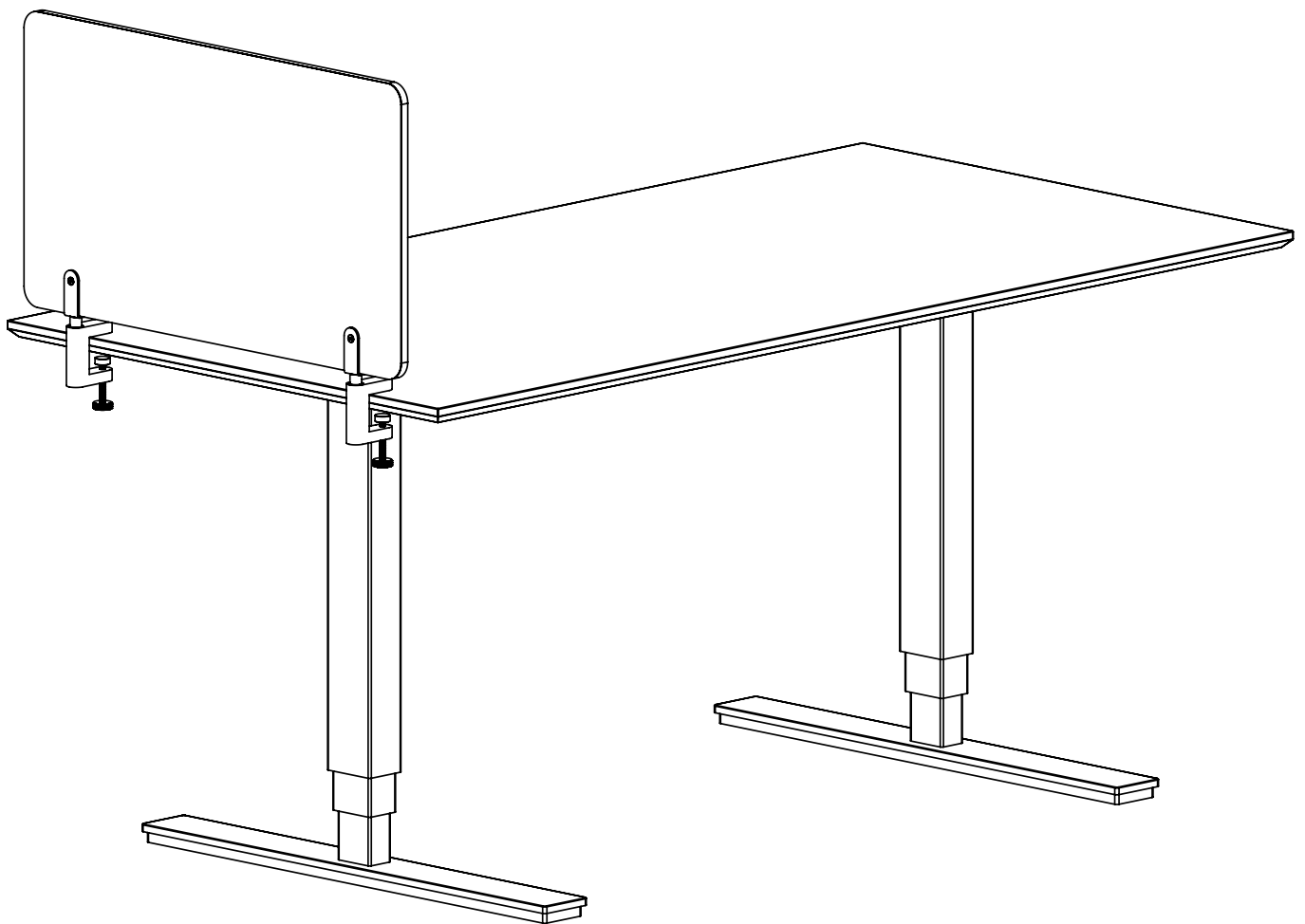
Carefully lead the four tubes through the holes at the top of the two multi clamps.



APTO

STEP 3

The whiteboard sidewall is now ready to be used. Install it as you prefer - either with the felt on the inside or the whiteboard. Enjoy!



APTO

Hårup Skovej 2, 8600 Silkeborg, Danmark
+ 45 86 81 23 75 // www.aptocollection.dk

APTO
DANISH DESIGN